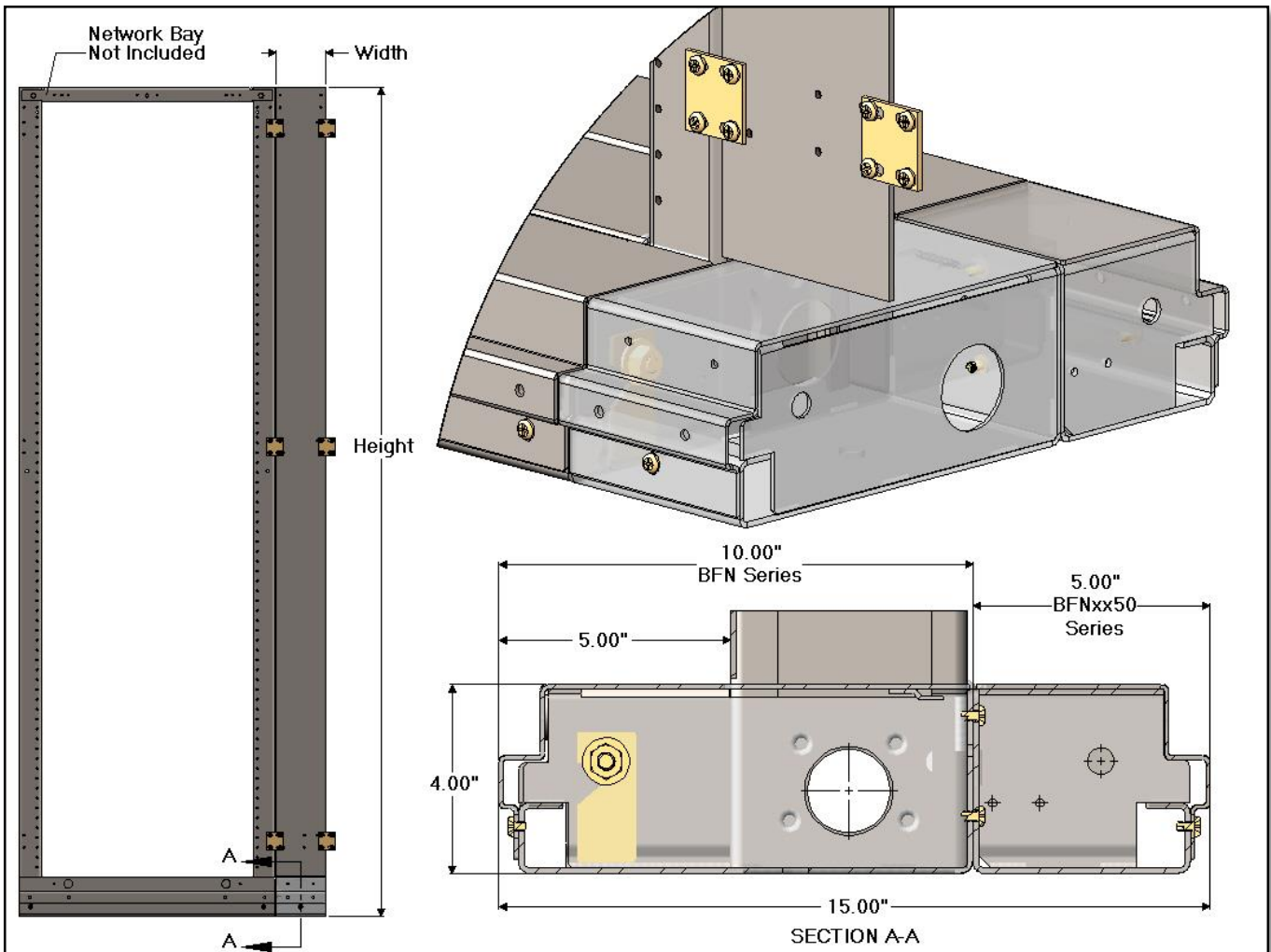




FPC Kit Series - Filler Panel Kit w/ 15.00" Depth 5+5+5 Footprint



FPC1 Series 2.50" Wide - Filler Panel Kit w/ 15.00" Depth 5+5+5 Footprint.	
CSF P/N#	Filler Panel + Base Filler [Height]
FPC125xxK	84.00"
FPC135xxK	108.00"
FPC147xxK	138.00"

FPC2 Series 5.00" Wide - Filler Panel Kit w/ 15.00" Depth 5+5+5 Footprint.	
CSF P/N#	Filler Panel + Base Filler [Height]
FPC225xxK	84.00"
FPC235xxK	108.00"
FPC247xxK	138.00"

Notes:

- See FPA for Filler Panel only.
- Kit includes all Mounting Hardware for Filler Panel and Base Filler.
- Other sizes and finishes available upon request.

Specifications subject to change. Please contact CSF Customer Service for more information.